

# ELECTRIC FORKLIFT TRUCK SERIES Z80/900H - Z90H - Z100H

CAPACITY 8.000 KG/900MM  
CAPACITY 9.000 KG/600MM  
CAPACITY 10.000 KG/600MM  
VOLTAGE 96V  
HIGH DRIVING POSITION  
FOR MAXIMUM  
VISIBILITY EVEN WITH  
VERY BULKY LOADS  
COMPACT SIZE

**carer**  
Electric Forklift Trucks

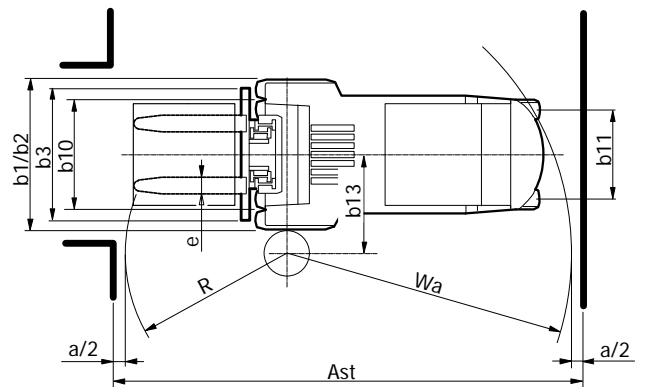
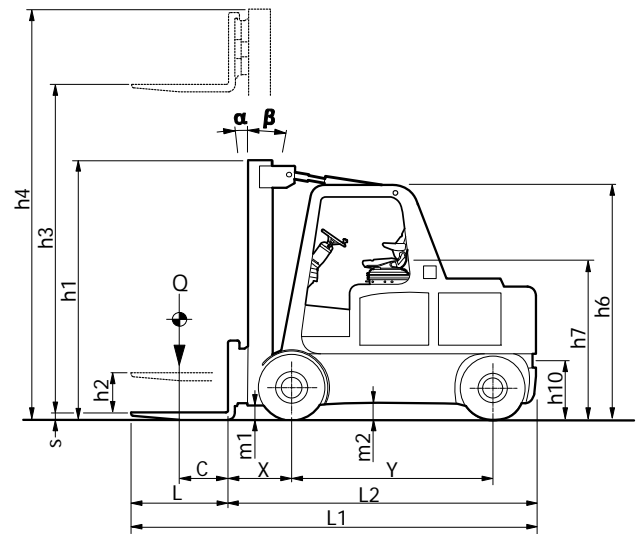




# ELECTRIC FORKLIFT TRUCK CARER Z 80/900 H - Z 90 H - Z 100 H

## MAIN FEATURES

- CAPACITY 8.000Kg/900mm – 9.000-10.000Kg/600mm
- VOLTAGE 96V
- TYRES DUAL SE
- AC MOTORS
- MULTIFUNCTION DISPLAY EASY INFO (MDE)
- OIL IMMERSED BRAKE
- TRAVEL SPEED 15,0 km/h
- LIFTING SPEED 0,44 m/s
- BATTERY 96V 1500Ah
- HIGH TILT CYLINDERS



a=200

## The benefit of choosing Carer

The driver's seat is wide and spacious. The layout of the controls and instruments on board meet the ergonomic sizing. The steering wheel has the tilt steering and is also adjustable in depth.



The wide seat is cushioned, adjustable in each direction and also based on the weight of the operator.

A large handle and two wide steps provide easy access to the driving position.

The front and rear visibility is excellent thanks to the raised driving position, the electronic control MOSFET high frequency ensures low noise and maximum engine performance. The system is protected and is placed in the rear to facilitate easy access during maintenance operations.

The electric motors are developed and designed to support demanding applications and are excited in series with the armature winding in copper strip.

The electric braking energy recovery features to the release of the brake pedal and reversing the

direction of travel.

The tilt cylinders provide excellent stability of the mast reducing twists due to their location and large lever arms.



		C.A.R.E.R. Srl				
		Z80/900H	Z90H	Z100H		
IDENTIFICATION	1.1	Manufacturer				
	1.2	Manufacturer's type designation	Z80/900H	Z90H	Z100H	
	1.3	Drive	electric	electric	electric	
	1.4	Operator type	seat	seat	seat	
	1.5	Load capacity/rated load	Q (t)	8	9	10
	1.6	Load centre distance	C (mm)	900	600	600
	1.8	Load distance	X (mm)	680 (1) (2)	710 (1) (2)	760 (1) (2)
	1.9	Wheelbase	Y (mm)	2500	2500	2500
	WEIGHTS	2.1	Weight	(kg)	13840	14850
2.2		Axle loading, laden front / rear	(kg)	19777 / 2063	21550 / 2300	23350 / 1950
2.3		Axle loading, unladen front / rear	(kg)	6720 / 7120	7830 / 7020	7910 / 7390
WHEELS	3.1	Tyres type		SEG	SEG	SEG
	3.2	Tyre size, front		8.25-15	300-15	300-15
	3.3	Tyre size, rear		315X45-12	315X45-12	315X45-12
	3.5	Wheels, number front rear (x = driven wheels)		4X/2	4X/2	4X/2
	3.6	Track width, front	b10 (mm)	1393	1486	1486
	3.7	Track width, rear	b11 (mm)	1200	1200	1200
	DIMENSIONS	4.1	Tilt of mast / fork carriage forward / backward	$\alpha/\beta$ (°)	3/7(2)	3/7(2)
4.2		Closed mast height	h1 (mm)	2880	2920	2950
4.3		Free lift	h2 (mm)	0	0	0
4.4		Lift (standard mast)	h3 (mm)	3400	3400	3400
4.5		Height, mast extended	h4 (mm)	4780	5050	4850
4.7		Height of overhead guard	h6 (mm)	2650	2650	2650
4.8		Seat height	h7 (mm)	1635	1635	1635
4.12		Coupling height	h10 (mm)	680	680	680
4.19		Overall length	L1 (mm)	5580	5010	5060
4.20		Length to face of forks	L2 (mm)	3780	3810	3860
4.21		Overall width	b1/b2 (mm)	1838	2020	2020
4.22		Fork dimensions	exsxL (mm)	200x70x1800	200x60x1200	200x60x1200
4.23		Fork carriage iso 2328/30, FEM/A,B		4A	5A	5A
4.24		Fork-carriage width	b3 (mm)	1800	1800	1800
4.31		Ground clearance, laden, below mast	m1 (mm)	170	170	170
4.32		Ground clearance, centre of wheelbase	m2 (mm)	110	110	110
4.33	Aisle width for pallets 1000x1200 crossways	Ast (mm)	5165	5200	5250	
4.34	Aisle width for pallets 800x1200 lengthways	Ast (mm)	5365	5400	5450	
4.35	Turning radius	Wa (mm)	3285	3285	3285	
4.36	Internal turning radius	b13 (mm)	1100	1100	1135	
PERFORMANCE	5.1	Travel speed, laden / unladen	(km/h)	14/15	14/15	12,5/13,5
	5.2	Lift speed, laden / unladen	(m/s)	0,3/0,44	0,28/0,4	0,25/0,37
	5.3	Lowering speed, laden / unladen	(m/s)	0,5/0,4	0,47/0,39	0,45/0,38
	5.5	Drawbar pull, laden / unladen (S2 60')	(N)	6400 / 7200	6100 / 6850	5800 / 6500
	5.6	Max. drawbar pull, laden / unladen (S2 5')	(N)	15900 / 16700	15150 / 15900	14400 / 15100
	5.7	Gradeability, laden / unladen (S2 30')	(%)	5 / 9,5	4,7 / 9	4,5 / 8,5
	5.8	Max. gradeability, laden / unladen (S2 5')	(%)	8 / 13,5	7,7 / 12,7	7,4 / 12
	5.9	Acceleration time, laden / unladen (10 m)	(s)	6,2 / 5,8	5,8 / 5,4	5,5 / 5
	5.10	Service brake: mech./hydr./electr.		hydraulic/electric	hydraulic/electric	hydraulic/electric
	MOTOR / BATT.	6.1	Drive motor rating (S2 60')	(kW)	27	27
6.2		Lift motor rating (S3 20%)	(kW)	45	45	45
6.4		Battery voltage	U (V)	96	96	96
6.4.1		Rated capacity	K5 (Ah)	1380 / 1500	1380 / 1500	1380 / 1500
6.5		Battery weight minimum/maximum	(kg)	4000 / 4300	4000 / 4300	4000 / 4300
OTHERS	8.1	Type of drive control		inverter	inverter	inverter
	8.2	Operating pressure for attachments	(bar)	160	160	160
	8.4	Sound level at the driver's ear	(dBA)	-	-	-

VDI 2198

Rev7 03/04/15

(1)With side-shifter integrated in the mast

(2)Depending on kind of mast

Wheels tyre legend: SE super elastic - SEGEM super elastic twins - C cushion - L pneumatic - VLK vulkolan

The performance data refer to a forklift truck in perfect working condition, with battery weight corresponding to the values given in 6.5

In accordance with VDI Guideline 2198 this specification sheet provides details of the standard truck only. Non-standard tyres, different masts, optional equipment, etc. may result in different values.

The C.A.R.E.R. products and specifications are subject to change without notice



C.A.R.E.R. Srl  
Via Copernico 13  
48010 Cotignola (RA) Italia  
Tel. +39 0545 1938010  
Fax +39 0545 908070  
info@carerforklift.com  
www.carerforklift.com